

### Description

The plug-in card V 738 is an 8-channel output card for the output of AES3 or AES3-id signals from the Varizone system. The signal format is determined per channel by means of a jumper.

### Specification

#### AES3 input

Number of channels	8, balanced, with transformers
Connector	2 x D-SUB 15-pin, male
Carrier - level	3.7 V <sub>pp</sub> @ (2 to 7 V) measured across 110 Ω
Data - jitter	1.5 ns max.
Output impedance*	110 Ω typ.
Current consumption	500 mA typ.
Supply voltage	5 ±0.25 V
Data format	AES3-1992
Channel status	Minimum implementation**; consumer/professional mode and frequency are adjustable

#### AES3-id output

Number of channels	8, unbalanced, with transformers
Connector	2 x D-SUB 15-pin, male
Output signal	1.0 V <sub>pp</sub> ± 20% typ.
Output impedance*	75 Ω typ.
Current consumption	500 mA typ.
Supply voltage	5 ±0.25 V
Data format	AES3id-1995

\* Output impedance is set by a pair of jumpers for each AES channel.

\*\* The minimum implementation is:

- Professional use of channel status block
- Normal audio mode
- Emphasis not indicated
- Default and source sampling frequency locked
- Sample frequency not indicated

Technology by KLOTZ DIGITAL

Specifications subject to change without notice



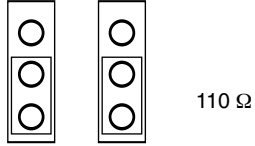
1601 JACK MCKAY BLVD. / ENNIS, TEXAS 75119 U.S.A.  
TELEPHONE: (800) 876-3333 / FAX (800) 765-3435

AtlasSound.com

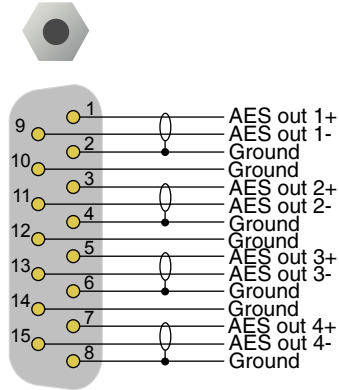
## Pin configuration

### D-SUB 15-pin, male AES output card, AES3 format

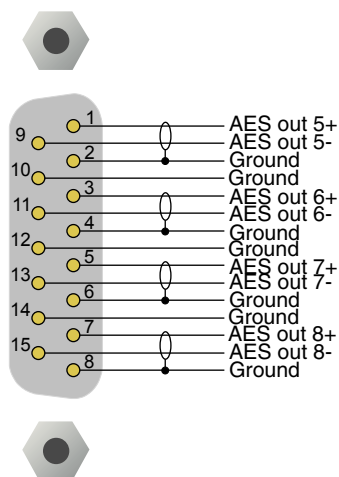
#### Termination J4 - J19



#### Connector 1



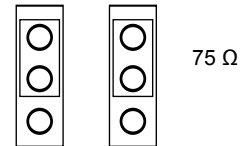
#### Connector 2



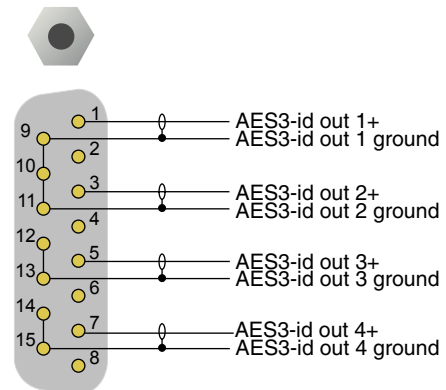
## D-SUB 15-pin, male

### AES output card, AES3-id format

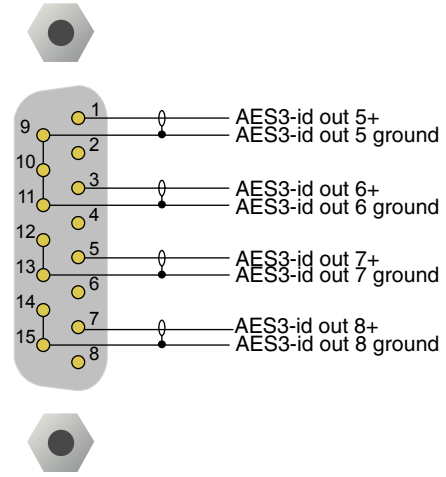
#### Termination J4 - J19



#### Connector 1



#### Connector 2



Specifications subject to change without notice



1601 JACK MCKAY BLVD. / ENNIS, TEXAS 75119 U.S.A.  
TELEPHONE: (800) 876-3333 / FAX (800) 765-3435

AtlasSound.com