



V1105 - Front 3/4 View



V1105 - Back View

Description

Line Interface between DSS/AMS I/O card and DSS/AMS-Bus. Powers bus up to the first Power Bridge. Supplies power for control modules and Line LDRs located prior to the first Power Bridge.

Main Features

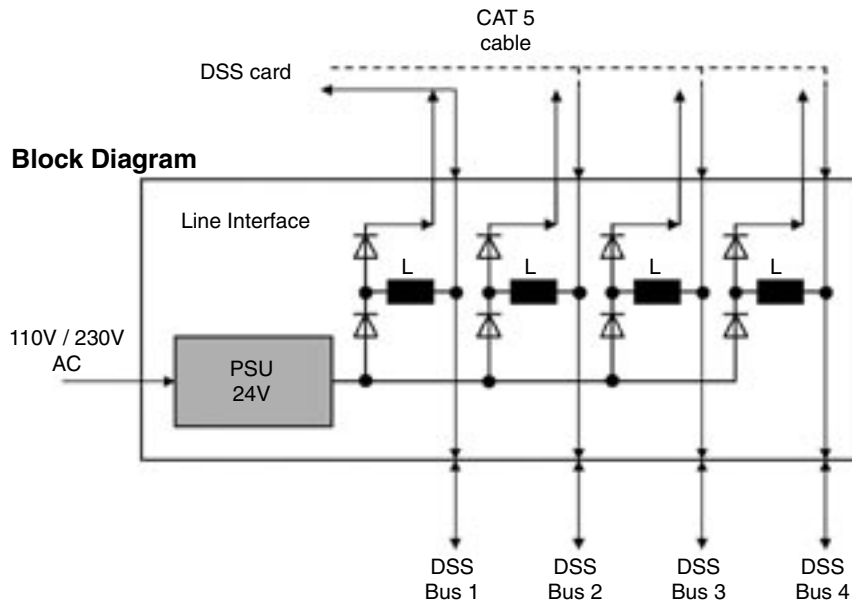
- 4 x RJ45 ports for DSS/AMS VADIS-Bus card
- 4 x ports for DSS/AMS-Bus
- Monitoring of internal PSU via software
- Redundancy option via a 2nd Line Interface

Termination (DSS-Bus)

- V1172A Termination for J-Y(ST)Y cable 90 Ohm
- V1172B Termination for Belden cable FE5441 60 Ohm
- V1172C Termination for CAT5 cable 100 Ohm

Specifications

AC input	120 / 230V
Port (DSS/AMS)	4 x RJ45 (straight cable)
Port (Bus modules)	4 x Phoenix MSTB 2,5/4-ST-5,08
Dimensions	19" Rack mount, 1 U



Specifications subject to change without notice



1601 JACK MCKAY BLVD. / ENNIS, TEXAS 75119 U.S.A.
TELEPHONE: (800) 876-3333 / FAX (800) 765-3435

AtlasSound.com
Technology by Klotz Digital.